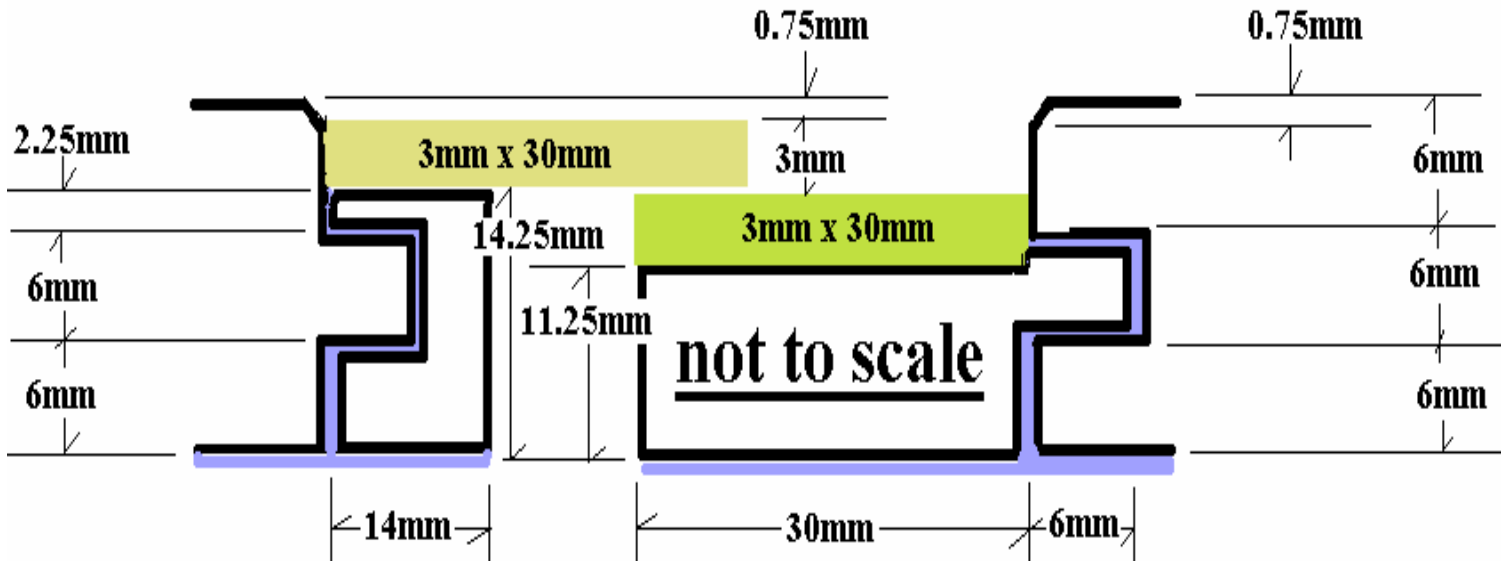


Surface Species[1] or Product
Brass Expansion Joint for 18mm Thick T&G 55mm Cover x 18mm Thick 1m lengths



Dimensions subject to final confirmation after profile of T&G is checked

Information provided is based on sample test averages and there will be variation from piece to piece.

Hardness (Janka Test)		Density	1300 kg/m ³
Wide/Cover (mm)	55	Amount per Unit/Box ^[4]	6 Lineal Metres
Lengths ^[2] (mm)	1000	Formaldehyde Emission	'E0'(no emission)
Thickness (mm)	18	Coating Gloss Level	NA
Packed ^[4]	6 pieces high x 1 wide	Coating	
Grade		Coating Wear Resistance ^[3]	
Scientific Name ^[1]	NA	Moisture Content	6% to 10%

Suitable for relative humidity from 30% to 60%. See our document "[Moisture Management](#)" for more information.

FIRE RESISTANCE DATA: For **critical design** information see our document "[FIRE HAZARD REQUIREMENTS FOR TIMBER FLOORING](#)"

^[1] Species of recycled/waste recovery grade may include a range & are identified based on appearance and properties – See our document "[Sources of Wood](#)" for more information.

^[2] Lengths usually made up to 2100mm. Some combinations of lengths made up to as short as 1800mm are occasionally supplied.

^[3] Taber Test – See our document "[Floor Life](#)" for more information.

^[4] Sometimes square metres will vary to utilise all lengths. If you need exactly the indicated square metres please check with us.